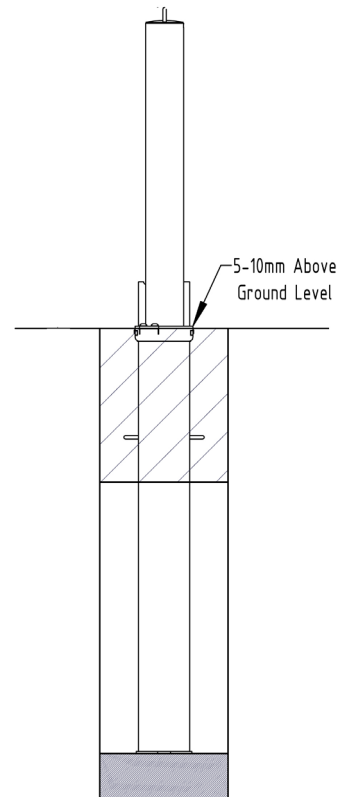
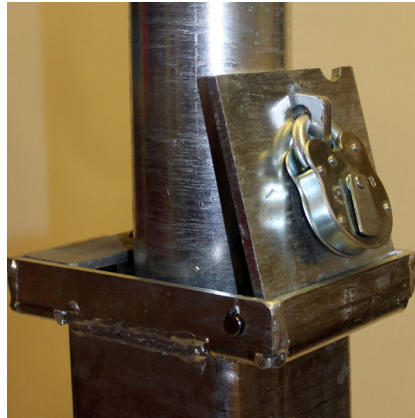




RetractaPost 745 FB 745mm

Galvanised, Galvanised & Colour or Stainless



The RetractaPost FB is a simple, cost effective, yet highly effective way to prevent unwanted vehicle access. The RetractaPost FB is raised and lowered vertically. When lowered the post is fully below ground and covered using the integral lid. The post is padlockable (padlock not supplied) in the raised position by first rotating the post 45° and then attaching the padlock between the post to the lid.

The RetractaPost FB is ideal for protecting vehicle forecourts, commercial premises, car parks and domestic driveways. The post is supplied without a padlock thus allowing the user to specify which FB padlock is required.

<u>Part Number</u>	<u>Description</u>	<u>Lift Weight (kg)</u>	<u>Weight (kg)</u>
138 130 400FB	90mm Galvanised	7kg	27kg
138 130 405BFB	90mm Galvanised & Black	7kg	27kg
138 130 403FB	90mm Galvanised & Yellow	7kg	27kg
138 130 405FB	90mm Galvanised & Colour	7kg	27kg
138 130 419FB	90mm Stainless	6kg	26kg

Product details

- 745mm (Height above ground when raised)
- Other colours can be provided on request (RAL no. to be advised)
- 3mm wall thickness - Galvanised and galvanised & colour
- Socket - 1010mm (below ground)
- Red/White chevron tape available extra
- 2mm wall thickness - Stainless steel

Installation & use

It is recommended that posts are placed no further than 1,200mm apart to ensure no vehicle may pass between the raised posts. An excavated hole (no less than 1,200mm deep and 300mm diameter) is required for installation. Provision for suitable drainage must be made (chippings or similar) at the bottom of the hole. The uppermost 3-400mm must be concrete. The lid of the post should be no more than 10mm above finished ground level. This product is guaranteed for 12 months (if installed and used correctly).

